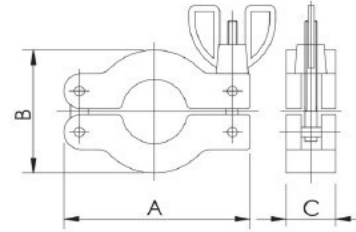


KF 卡箍
KF Clamps

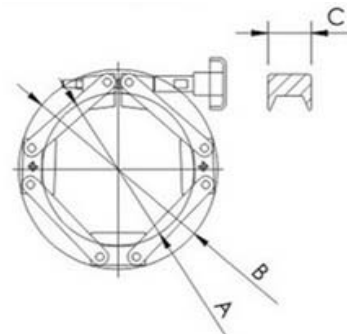


※Material: SUS304 or Aluminium

Unit:mm

Parts No.	A	B	C
CLP-10/16	63.00	41.50	16.50
CLP-25	72.00	52.50	16.50
CLP-40	89.00	69.00	16.50
CLP-50	112.50	91.00	20.50

NW 链式卡箍
NW Clamp Chain

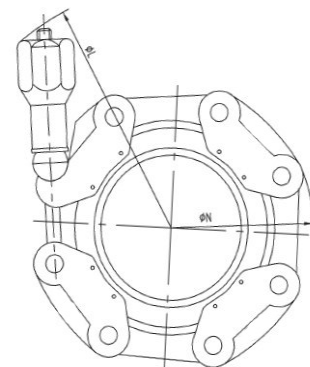


※Material: SUS304 or Aluminium

Unit:mm

Parts No.	A	B	C
CLP-80	100.00	165.00	37.00
CLP-100	122.00	185.00	37.00
CLP-160	178.00	228.00	37.00
CLP-200	239.00	300.00	37.00
CLP-250	288.00	350.00	37.00

KF 链式卡箍
KF Clamp Chain



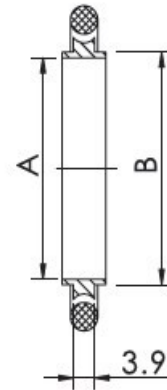
※Material: SUS304 or Aluminium

Unit:mm

Parts No.	L	N	T(厚度)
NW-10/16	115.00	60.00	20.00
NW-20/25	125.00	70.00	20.00
NW-32/30	135.00	85.00	20.00
NW-50	152.00	105.00	20.00
NW-63	160.00	120.00	20.00

KF 中心支架带O型圈

KF Centering Ring with O-Ring



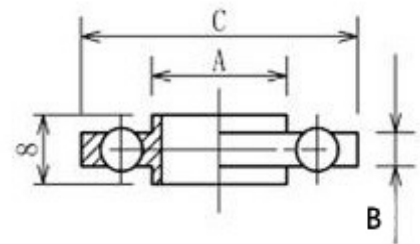
※Material: SUS304 or SUS316L+Viton

Unit:mm

Parts No.	A	B	D
COP-10B	10.00	12.00	3.90
COP-16B	16.00	17.00	3.90
COP-25B	25.00	26.00	3.90
COP-40B	40.00	41.00	3.90
COP-50B	50.00	52.00	3.90
COP-63B	67.00	69.60	3.90
COP-80B	80.00	82.50	3.90
COP-100B	98.80	101.50	3.90
COP-160B	150.00	152.60	3.90
COP-200B	210.00	212.60	3.90

KF 中心支架带外圈

KF Centering Ring with Outer Ring

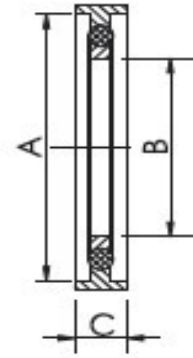


※Material: SUS304 or SUS316L+Viton+SUS304

Unit:mm

Parts No.	A	B	C
AUT-16	12.00	3.90	30.00
AUT-25	17.00	3.90	42.00
AUT-40	26.00	3.90	57.00
AUT-50	41.00	3.90	75.00
AUT-63	52.00	3.90	89.00
AUT-80	69.60	3.90	110.00
AUT-100	82.50	3.90	130.00
AUT-160	149.90	3.90	179.00
AUT-200	209.80	3.90	243.00
AUT-250	261.00	3.90	293.00

KF 中心支架带外圈
KF Centering Ring with Outer Ring

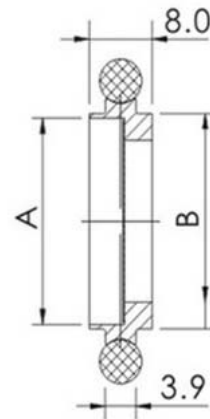


※Material: SUS304 or SUS316L+Viton+SUS304

Unit:mm

Parts No.	A	B	C
AUT-16J	30.00	16.00	7.00
AUT-25J	40.00	25.00	7.00
AUT-40J	55.00	40.00	7.00
AUT-50J	75.00	50.00	7.00
AUT-63J	87.00	68.00	7.00
AUT-80J	114.00	80.00	7.00
AUT-100J	134.00	99.00	7.00
AUT-160J	190.00	150.00	7.00

KF 滤网中心支架带O型圈
KF Screen Centering Ring with O-Ring

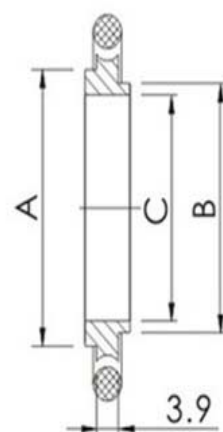


※Material: SUS304 or SUS316L+Viton

Unit:mm

Parts No.	A	B	NET(目)
COP-10-LV	10.00	12.00	100
COP-16-LV	16.00	17.00	100
COP-25-LV	25.00	26.00	100
COP-40-LV	40.00	41.00	100
COP-50-LV	50.00	52.00	100
COP-63-LV	67.00	69.60	100
COP-80-LV	80.00	82.50	100
COP-100-LV	98.80	101.50	100

KF 变径中心支架带O型圈
KF Adaptive Centering Ring with O-Ring



※Material: SUS304 or SUS316L+Viton

Unit:mm

Parts No.	A	B	
COP-10/16-BJ	17.00	12.00	
COP-20/25-BJ	26.00	22.00	
COP-32/40-BJ	41.00	34.00	

